

# Junction Box Connectivity Products

## Multibox® Eurofast® Terminal Chamber, 2 Signals per Port

- 4-Port, Plastic or Metal Housing
- Up to 16 A total
- Power Supply Isolation option
- Plug-in Terminal Cover with Spring Clamps or Screw Terminal



### 4-Port, 10-30 VDC, 2 Signals per Port, Isolated Power Supply Optional, Plastic Housing

#### Termination Style

| Application   | Specifications  | Pinout          |                     | Spring Clamp   | Screw Terminals |
|---|---|-----------------|---------------------|----------------|-----------------|
| 4-port J-box<br>2 signals per port<br>Jumper option for isolation between odd and even ports<br>Terminal chamber connection - spring clamp or screw terminals | 2 A/signal, 10 A total or 8 A per supply 5-pin Eurofast connector<br>2(green) power LED 2(yellow) signal per port LEDs cable diameter 5-12 mm | <u>Function</u> | <u>Terminal Pin</u> | 4MB12-5P4-K-FK | 4MB12-5P4-K-SK  |
|   |   | Port 1/Signal 1 | 1                   |                |                 |
|   |   | 2/1             | 2                   |                |                 |
|   |   | 3/1             | 3                   |                |                 |
|   |   | 4/1             | 4                   |                |                 |
|   |   | Port 1/Signal 2 | 9                   |                |                 |
|   |   | 2/2             | 10                  |                |                 |
|   |   | 3/2             | 11                  |                |                 |
|   |   | 4/2             | 12                  |                |                 |
|   |   | +V              | 17                  |                |                 |
|   |   | -V              | 18                  |                |                 |
|   |   | +V              | 19                  |                |                 |
| -V  | 20  |                 |                     |                |                 |
| Ground  | PE  |                 |                     |                |                 |

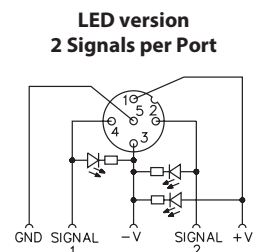
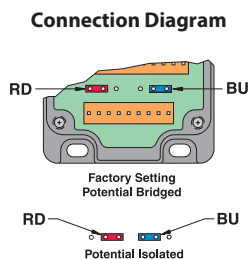
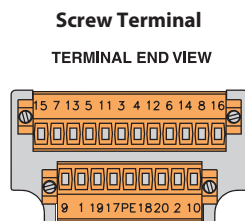
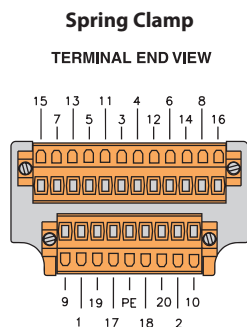
### 4-Port, 10-30 VDC, 2 Signals per Port, Shielded Metal Housing

#### Termination Style

| Application  | Specifications  | Pinout          |                     | Spring Clamp | Screw Terminals |
|--|---|-----------------|---------------------|--------------|-----------------|
| 4-port J-box<br>2 signals per port<br>Termination chamber connection - spring clamp or screw terminals | 2 A/signal, 10 A total 5-pin Eurofast connector 1(green) power LED cable diameter 9-14 mm | <u>Function</u> | <u>Terminal Pin</u> | ----         | 4MB12-5P1-MS-SK |
|  |   | Port 1/Signal 1 | 1                   |              |                 |
|  |   | 2/1             | 2                   |              |                 |
|  |   | 3/1             | 3                   |              |                 |
|  |   | 4/1             | 4                   |              |                 |
|  |   | Port 1/Signal 2 | 9                   |              |                 |
|  |   | 2/2             | 10                  |              |                 |
|  |   | 3/2             | 11                  |              |                 |
|  |   | 4/2             | 12                  |              |                 |
|  |   | +V              | 17                  |              |                 |
|  |   | -V              | 18                  |              |                 |
|  |   | +V              | 19                  |              |                 |
| -V   | 20  |                 |                     |              |                 |
| Ground   | PE  |                 |                     |              |                 |

We reserve the right to make technical alterations without prior notice.

## Functional Wiring Diagrams

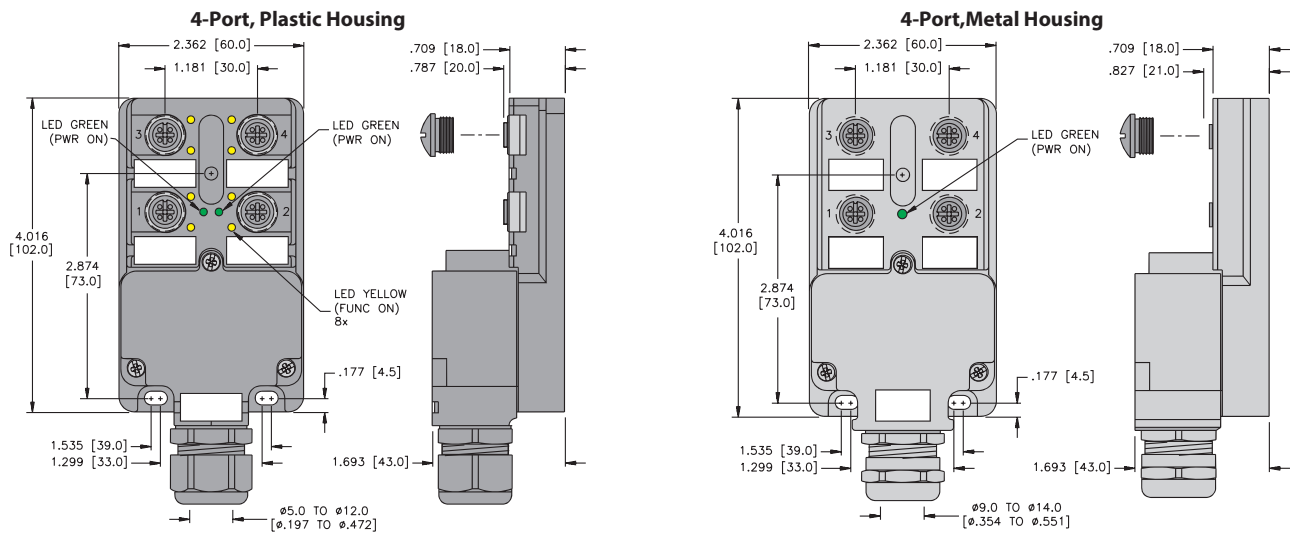


Multibox® Eurofast® Terminal Chamber, 2 Signals per Port

**Specifications**

|                              |  |                            |   |
|------------------------------|--|----------------------------|---|
| <b>Housing:</b>              | PBT Black Plastic                          | <b>Temperature:</b>        | -20 °C to +90 °C (-4 °F to +194 °F)                         |
| <b>Connectors:</b>           | Eurofast: PBT/black                        | <b>Protection:</b>         | IEC IP68  |
| <b>Contacts:</b>             | Gold plated brass                          | <b>Accessories:</b>        | (2) TC-CC closure caps and labels included                  |
| <b>Thread Inserts:</b>       | Nickel plated brass                        | <b>Termination Method:</b> | Field wireable, Spring Clamp or Screw Terminal. 16 AWG max. |
| <b>Cable Gland &amp; OD:</b> | PG 13.5, accepts cable diameter 5 to 12 mm |                            |   |
| <b>Recommended Splitter:</b> | YB2-FSM 4.5-2 FKM 4.5                      |                            |   |

**Dimensions**



We reserve the right to make technical alterations without prior notice.

multibox®, eurofast®

**Pinout**

